

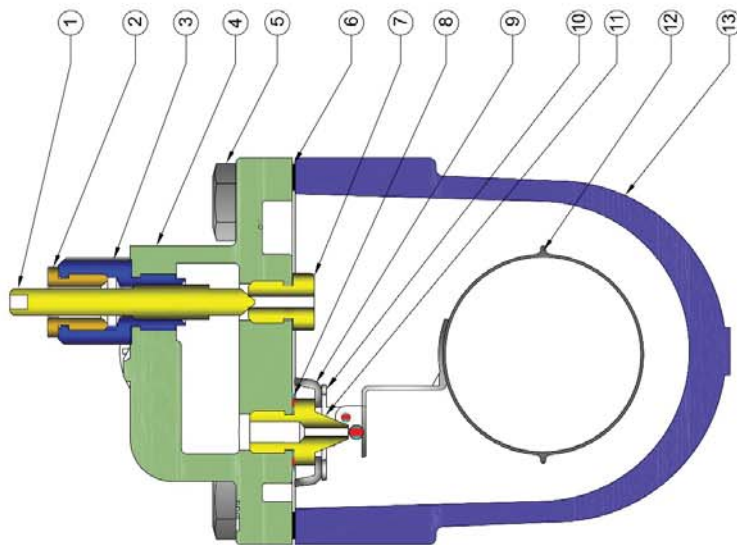
Ball Type Float Steam Trap

Features

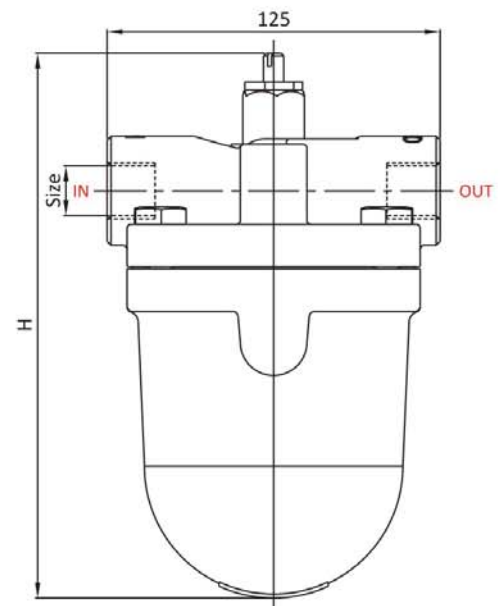
- ▶▶ Design for outstanding performance.
- ▶▶ Simple & Sturdy design.
- ▶▶ Float steam trap rugged, simple & trouble free operation.
- ▶▶ Efficient & Maintenance free.
- ▶▶ Air venting facility.

Technical Specification

Model	SBD
Size	1/2", 3/4", 1", 1.1/4", 1.1/2" & 2"
Pressure	Upto 10 Kg/cm ²
Temperature	Upto 200 °C
Leakage	Bubble Tight
Media	Steam



No.	Part Name	Material
1	Adjusting Spindle	S. Steel
2	Gland	Brass / S. S.
3	Hex Nipple	S. Steel
4	Cover	Cast Iron
5	Hex Bolt	Standard
6	Gasket	CAF
7	SLR Sheet	S. Steel
8	Orifice Flat Washer	S. Steel
9	C. Clamp	S. Steel
10	S. Mounting Clamp	S. Steel
11	Orifice Hex Bolt	S. Steel
12	Drain Ball Assembly	S. Steel
13	Body	Cast Iron



Dimensions : (All Dimensions are in mm)

MODEL	SIZE	L	H	Weight (Kg.) Approx.
SBD - 15	1/2"	125	204.5	4.400
SBD - 20	3/4"	125	204.5	4.400
SBD - 25	1"	247	130	8.230
SBD - 40	1.1/2"	270	280	21.780
SBD - 50	2"	300	320	28.970