

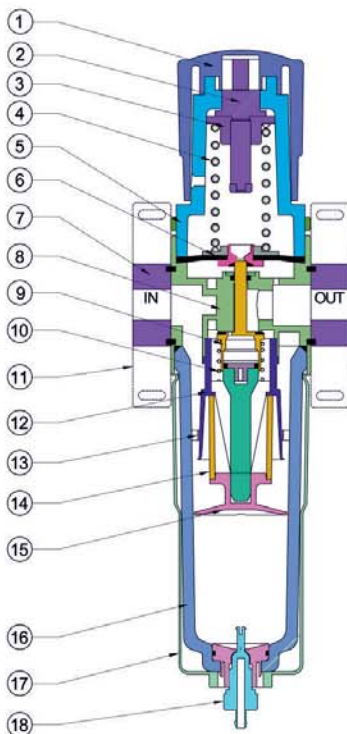
Air Combination (Filter + Regulator)

Features

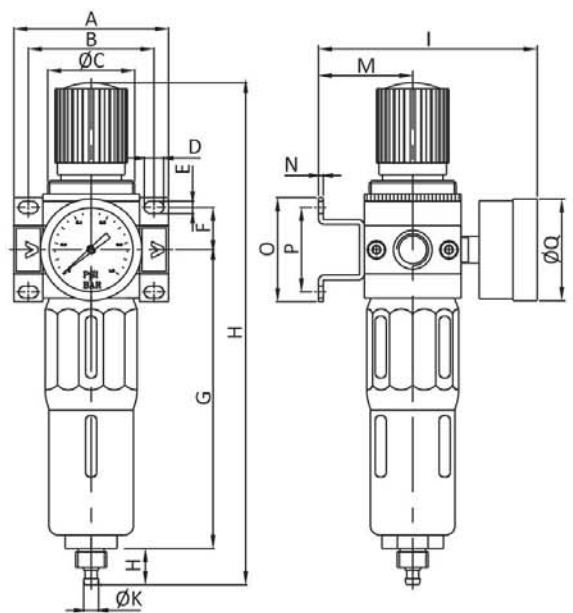
- ▶ Zinc Pressure Die Cast Standard Grade with Powder Coated Body
- ▶ Comfortable to all industrial use
- ▶ Mounting Available
- ▶ Heavy Design & Rugged Use
- ▶ High flow rate & Highly efficient removal of contaminants
- ▶ Lockable Rotary Knob

Technical Specification

Model	F01 - FR	F02 - FR
Size	1/4"	1/2"
Pressure	Upto 16 BAR	
Temperature	Upto 60 °C	
Element	Sinter Bronze (20 Micron)	
Recommended Oil	ISO VG32 or Equivalent	
Leakage	Bubble Tight	
Media	Compressed air	



No.	Part Name	Material
1	Knob	Nylon
2	Adjusting Stud	Steel Plated
3	Nut	Steel Plated
4	Adjusting Spring	Spring Steel
5	Bonnet	Nylon
6	Diaphragm	NBR
7	Side Connector	Zinc Pressure Die Cast
8	Body	Zinc Pressure Die Cast
9	Plunger	Brass
10	Bottom Spring	S. Steel
11	Mounting Clamp	M. S.
12	Deflector	Nylon
13	Guide	Nylon
14	Filter Element	Sinter Bronze
15	Baffle	Nylon
16	Bowl	Poly Carbonate
17	Guard Cap	Aluminum
18	Drain Cock	Nylon



Dimensions :

(All Dimensions are in mm)

MODEL	SIZE	A	B	ØC	D	E	F	G	H	I	M	N	O	P	ØQ	Weight (Kg.) Approx.
F01 - FR	1/4"	64	52	36	8	5	17.5	26	95	90.5	39	2	43	35	42	0.487
F02 - FR	1/2"	85	70	52	8.5	5.5	30	34.5	137	110	47	3	70	60	52	1.128