

**Model : ASC
Series : 2414**

Features

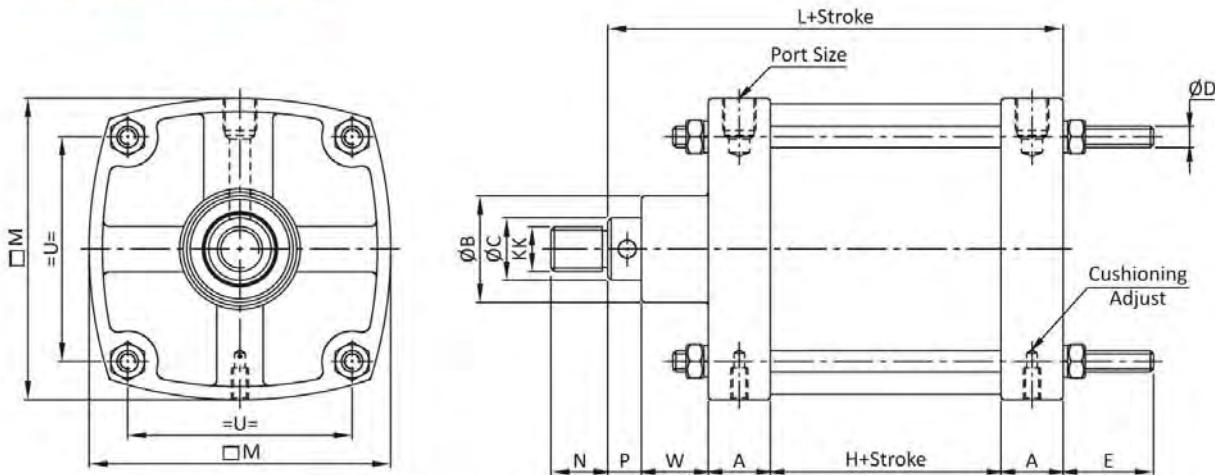
- ▶▶ Extremely Rugged and Heavy Duty
- ▶▶ Ideal for use in Tough Industrial Environments
- ▶▶ Large range of bore sizes and mountings
- ▶▶ Stroke available upto 3000 mm
- ▶▶ Upto 10 Ton Load Capacity
- ▶▶ Option : Bellows, Viton Seals, Hollow Shaft, Rod Extension and Rod Threading.
- ▶▶ Special : Single Acting, Stroke Adjustable, Double Ended, Duplex and Large Port
- ▶▶ Available in both Magnetic & Non - magnetic Version
- ▶▶ Extensive choice of mounting
- ▶▶ Stainless Steel barrel up to 3000 mm
- ▶▶ Adjustable cushioning at both end
- ▶▶ Long Established tie rod design, Proven ruggedness & Reliability



Technical Specification

Bore Dia	50	65	75	100	125	150	200
Stroke	Upto 3000 mm						
Cushion	Available at both ends						
Piston Rod Dia	19.3	25.6	35.1	38.1			
Surface Treatment	Auto finish enameling end cover & cylinder barrel						
Pressure	7 to 150 PSI (0.5 to 10 BAR)						
Temperature	-10 °C to 80 °C, (Upto 180 °C with Viton Seals)						
Design	Piston Cylinder with Cushion / Non - Cushion Version)						
Mounting	Std. Mounting available (for more details see dimensions)						

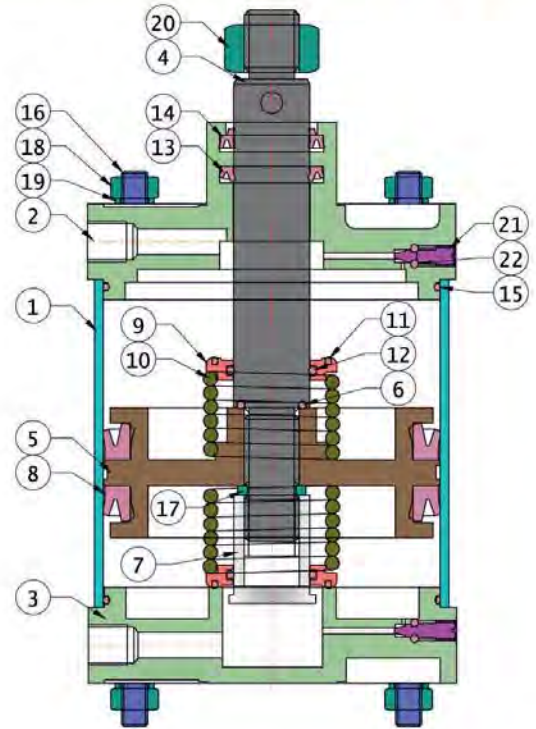
Basic Cylinder Dimensions for ASC



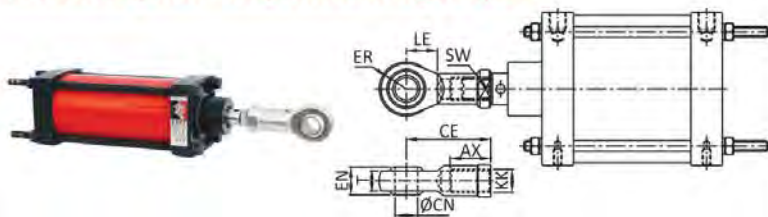
Bore die	KK	H	A	W	P	N	E	U	□M	ØB	ØC	L	D	K*	Port Size
50	1/2" BSW.	54	22	25	15	19	25	48	65	43	19.3	138	1/4" BSW	107	1/4" BSP
65	1/2" BSW.	57	22	25	15	19	25	59	79	43	19.3	141	1/4" BSW	165	1/4" BSP
75	1/2" BSW.	61	26	32	15	19	30	70	94	47	19.3	160	3/8" BSW	248	1/4" BSP
100	3/4" BSW.	61	29	25	15	25	30	88.5	120	48	25.3	159	3/8" BSW	433	3/8" BSP
125	1" BSW.	86	36	38	19	32	40	108	147	60	35.1	215	1/2" BSW	665	1/2" BSP
150	1" BSW.	79	35	38	19	32	40	126.5	170	60	35.1	206	1/2" BSW	949	1/2" BSP
200	1.1/4" BSW.	86	38	57	19	45	45	170.5	230	65	38.1	238	3/4" BSW	1682	3/4" BSP

*K = Push Force at 5 Kg/cm²

No.	Item Name	Material
1	Round Pipe	Aluminum Alloy HE9WP
2	Top Cover	ASTM A 536 Gr. 65-45-12
3	Bottom Cover	ASTM A 536 Gr. 65-45-12
4	Piston Rod (Shaft)	BS-970-90, En-8, (080M40)
5	Piston	Aluminum
6	Shaft 'O' Ring	Nitrile Buna - N Gr.80
7	Piston Lock Nut	Mild Steel
8	Piston V - Seal	Nitrile Buna - N Gr. 80
9	Spring Guide	Aluminum
10	Spring	Standard
11	Guide 'O' Ring - 1	Nitrile Buna - N Gr. 80
12	Guide 'O' Ring - 2	Nitrile Buna - N Gr. 80
13	Shaft V - Seal	Nitrile Buna - N Gr. 80
14	Duster V - Seal	Nitrile Buna - N Gr. 80
15	Dia Meter 'O' Ring	Nitrile Buna - N Gr. 80
16	Stud	Mild Steel
17	Washer For Piston	Mild Steel
18	Stud Nut	Mild Steel
19	Stud Washer	Mild Steel
20	Shaft Nut	Mild Steel
21	Cushion Pin	Brass
22	Cushion Pin 'O' Ring	Nitrile Buna - N Gr. 80

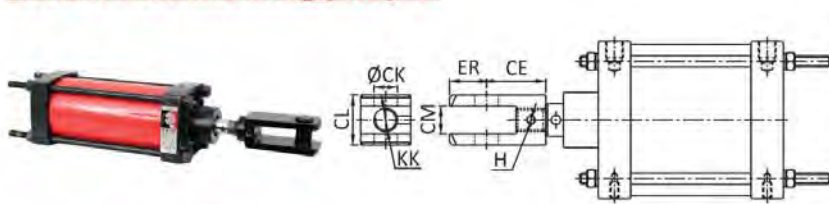


Rod End Spherical Eye Mounting (AR) - G



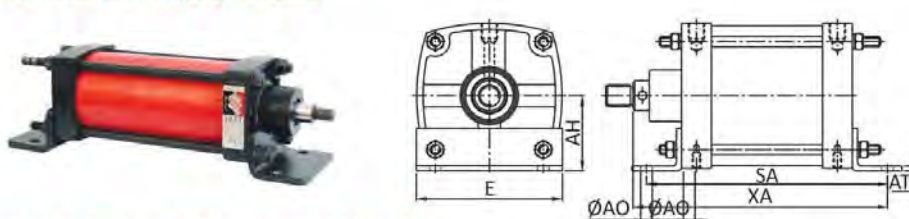
Bore die	KK	EN	T	ØCN	AX	CE	ER	LE	SW
50	1/2" BSW	16	12	12	25	50	15	16	19
65	1/2" BSW	21	15	16	25	64	19	20	21.6
75	1/2" BSW	25	18	20	35	77.5	23	22	30
100	3/4" BSW	25	18	20	35	77.5	23	22	30
125	1" BSW	30	22	25	40	93.5	30	34.5	36
150	1" BSW	30	22	25	40	93.5	30	34.5	36
200	1.1/4" BSW	43	30	35	50	137.5	45.5	45.5	60

Rod End Fork Mounting (ARC) - A



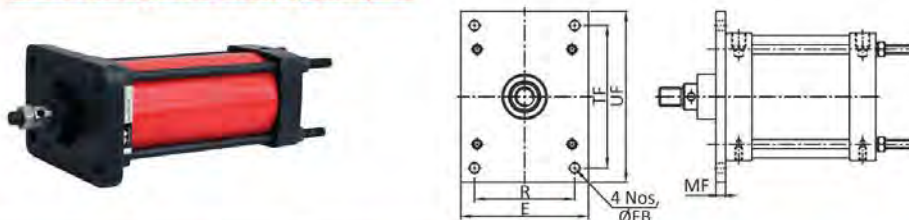
Bore die	KK	CL	CE	LE	ER	CM	CK	H
50	1/2" BSW	28	40	20	19	15	12	M6
65	1/2" BSW	28	40	20	19	15	12	M6
75	1/2" BSW	35	42	22	24	17	16	M6
100	3/4" BSW	45	54	28	30	25	19	M6
125	1" BSW	54	64	32	40	30	25.4	M8
150	1" BSW	54	64	32	40	30	25.4	M8
200	1.1/4" BSW	64	81	36	50	32	31.8	M8

Foot Mounting (AFB) - L



Bore die	XA	SA	AT	AT1	TR	AO	L
50	163	148	3.5	36.8	38	10	62.5
65	166	151	5	42.3	56.5	10	77
75	197	187	6	57	66	13.5	92
100	197	195	6	66.7	95	13.5	121
125	257	242	6	79	114.5	13.5	146
150	248	233	6	88	141	13.5	171
200	296	287	8	120.4	176	20	222

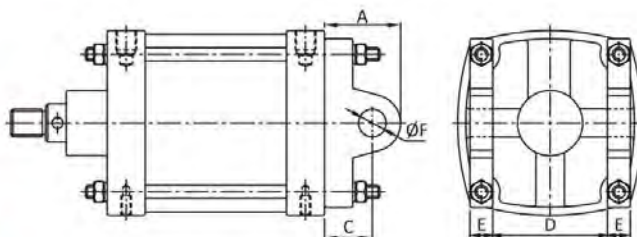
Front Flange Mounting (FM) - F



Bore die	MF	TF	TF	E	R	FB
50	9.5	108	86	64	42	10
65	9.5	121	98.5	77	54	10
75	12.5	152	120.5	92	63.5	13.5
100	12.5	178	146	120	89	13.5
125	13	203	168	146	118	13.5
150	13	228	190	170	133.5	13.5
200	19	324	268	222	159	20

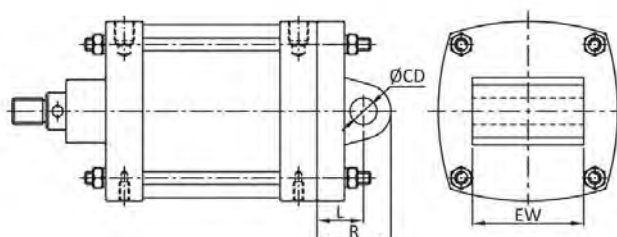
Model : ASC Series : 2414

Pivot Mounting (AP) - S03



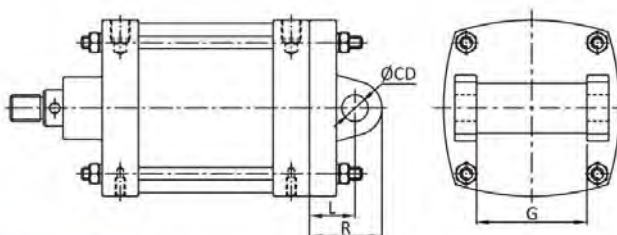
Bore die	A	C	F	D	F
50	35	22.5	10	38	12.7
65	38	24.5	10	48.6	16
75	48	32	16	54	19
100	54	38	16	72.4	19
125	70	44	21	86.8	25.4
150	70	44	21	105.5	25.4
200	89	54	32	138.8	31.8

Male Clevis Mounting - MC



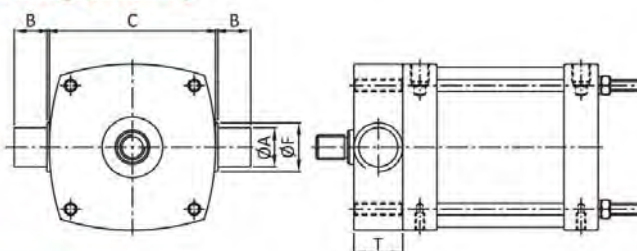
Bore die	L	EW	R	CD
50	22.5	38	35	12.7
65	24.5	48.6	40.5	16
75	32	54	51	19
100	38	72.4	57	19
125	44	86.8	70	25.4
150	44	106.5	70	25.4
200	54	138.8	86	31.8

Female Clevis Mounting - FC



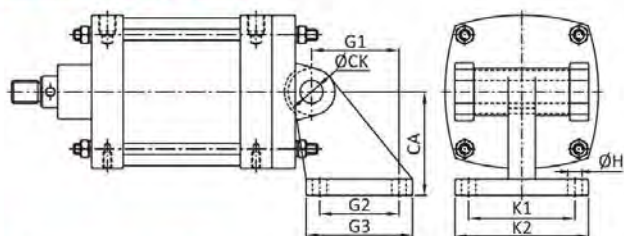
Bore die	L	G	R	CD
50	22.5	39	35	12.7
65	24.5	49.6	40.5	16
75	32	55	51	19
100	38	73.4	57	19
125	44	87.8	70	25.4
150	44	106.5	70	25.4
200	54	139.8	86	31.8

Front & Rear Trunnion Mounting (FT / RT)



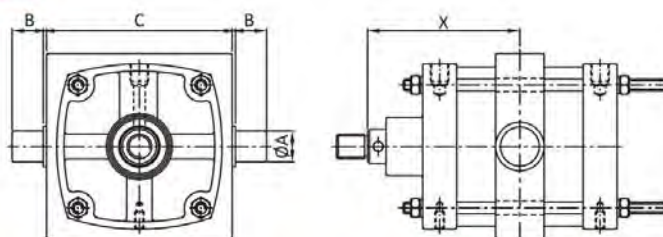
Bore die	A	B	C	F	T
50	18	18	65	20	20
65	20	25	79	24	24
75	35	29	94	40	40
100	35	29	120	40	40
125	40	33.5	147	50	50
150	40	33.5	170	50	50
200	45	36	230	---	45

Clevis Foot Bracket Mounting - (CF)



Bore die	K2	K1	G3	G2	CA	CK	H	G1
50	65	50	45	30	45	12.7	9	33
65	67	52	50	35	50	16	9	37
75	86	66	60	40	63	19	11	47
100	96	76	70	50	71	19	11	55
125	124	94	90	60	90	25.4	14	70
150	148	118	118	88	115	25.4	16	97
200	162	122	130	90	135	31.8	16	105

Center Trunnion Mounting - (CT)



Bore die	ØA	B	C	AH
50	12	12	76	On Request
65	16	16	92	
75	19	19	108	
100	25.4	25	136	
125	31.8	32	164	
150	31.8	32	191	
200	38.1	38	251	