

## 2/2 Way Direct Acting Solenoid Valve (Normally Closed)

### Features

- ▶ Aluminum Graded Pressure Die Cast
- ▶ Compact & Light Weight
- ▶ Universal Mounting Type
- ▶ Coil Available in Both Wire type & DIN Connector
- ▶ Flameproof Coil Available

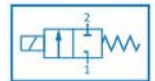
### Technical Specification

Model	AJCS - 01 - 202
Size	1/4" BSP
Orifice	3 mm
Pressure	10 Kg/cm <sup>2</sup>
Temperature	Upto 55 °C
Leakage	Bubble Tight
Flow	250
Media	Air ( Filtered & Lubricated )
Coil Voltage	24V, 48V, 110V, 230V AC

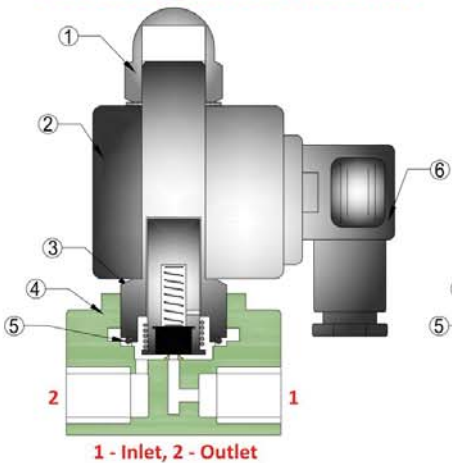


### Technical Specification

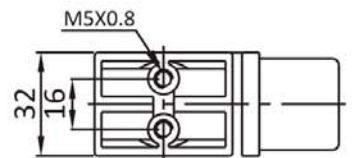
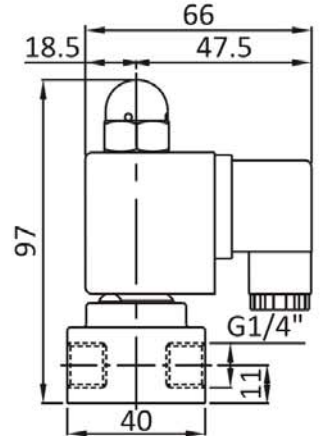
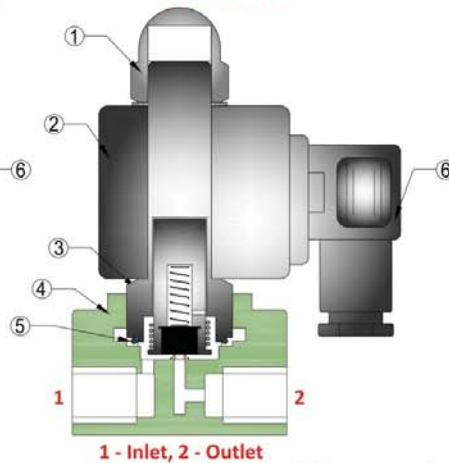
Model	AJDS-02-202	AJDS-03-202	AJDS-04-202
Size	1/4" BSP		
Orifice	2.5 mm	2 mm	1.2 mm
Pressure	7 Kg/cm <sup>2</sup>	10 Kg/cm <sup>2</sup>	20 Kg/cm <sup>2</sup>
Temperature	Upto 55 °C		
Leakage	Bubble Tight		
Flow	180	140	60
Media	Air ( Filtered & Lubricated )		
Coil Voltage	24V, 48V, 110V, 230V AC		
	12V, 24V, 48V, 110V DC		



Only Applicable for this model  
AJDS-02-202 / AJDS-03-202 / AJDS-04-202



Only Applicable for this model  
AJCS-01-202



No.	Part Name	Material
1	Cap	Steel Nickle Plated
2	Coil	'F' Class
3	Armature Assembly	Standard Steel
4	Body	Aluminum Pressure Die Cast
5	'O' Ring	NBR
6	DIN Connector	DIN 43650 A

